



EV Innovative Design

# EVID C10.1 Ceiling 10" Subwoofer Ceiling Loudspeaker System



Step Up To  
Electro-Voice®

## Key Features:

- 10" High-Excursion Transducer for extended LF
- Low Pass Network with Overload Protection
- Front Baffle Wattage Tap Adjustment
- Integrated low loss matching transformer allows for either 70v/100v or 8-ohm operation
- Includes tile bridge and mounting ring for easy installation
- Integrated ported enclosure for extended bass response



## General Description:

The Electro-Voice® EVID C10.1 loudspeaker system is a complete low frequency ceiling subwoofer package. The EVID C10.1 is designed to augment the low frequency response of any EVID ceiling speaker. The package consists of a bezel assembly, grille, rear enclosure, 10-inch loudspeaker and internal line-matching transformer. The EVID C10.1 loudspeaker utilizes a 2<sup>nd</sup> order crossover network to provide the correct bandpass frequency response for use with any EVID Ceiling loud speaker. The C10.1 utilizes a transformer that offers a selection of 7.5 (70-V only), 15, 30 or 60 watts delivered to the loudspeaker system using either 70-V or 100-V lines, or 8 ohm bypass. Selection is via a convenient switch on the front baffle. The perforated grille is finished in semi-gloss white powder-coated enamel. The baffle and bezel are constructed from UL 94V-0 rated ABS. The rear enclosure is constructed from zinc-plated, heavy gauge steel. The rear enclosure, with fiberglass damping material, provides an optimum internal volume for extended low-frequency performance. A rear cover, with provisions for a junction box fitting, provides access to a 4-pin terminal block that allows direct connection to the speaker with 12 gauge wire and provides full-range pass through to additional speakers. A tile bridge is included for safe suspension of the C10.1 ceiling systems in a drop ceiling that uses mineral wool, or other fiber-based ceiling tiles. The EVID line of ceiling speakers has been designed to work together as a complete system in a wide range of different ceiling constructions. They provide wide dispersion, high-efficiency, high-maximum output, ease of installation, and wide-range reproduction of music.

## Technical Specifications:

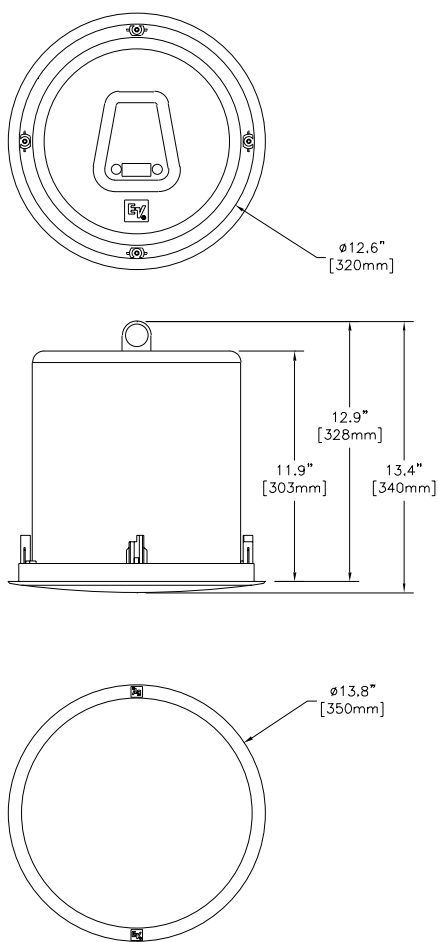
Freq. Response (-10 dB):	45 Hz - 180 Hz
Coverage (Conical):	180°
Power Handling:	150 W Cont. / 600 W Peak
Sensitivity (SPL 1W/1m):	94 dB
Max Calculated SPL:	120 dB
Impedance:	8 Ohms nominal (transformer bypass)
Network:	12 dB/oct
LF Transducer:	10 in. (200 mm)
Transformer Taps:	70V: 7.5, 15, 30 or 60W 100V: 15, 30 or 60W Bypass: 8 Ohms
Connectors:	Phoenix type removable, with screw terminals and "loop-thru", accepts 12 ga wire
Enclosure Material:	Baffle- UL 94V-0 rated ABS Backcan- Zinc plated steel
Grille:	Perforated powder coated steel with safety tether
Support Hardware:	Tile bridge, backing plate support, cutout template, paint shield
Dim (H x Dia.):	11.9" x 12.6" (303mm x 320mm)
Cutout Size:	12.75" (324 mm)
Net Weight (each):	15.5 lbs (7.0 kg)
Shipping Weight (pair):	34.0 lbs (15.5 kg)

All Specifications based on Half Space Environment in ceiling.

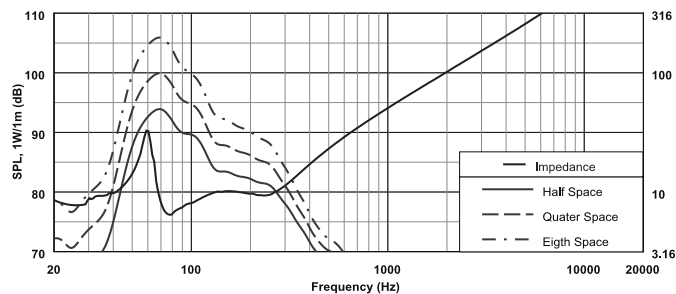
## Architects' & Engineers' Specifications:

The EVID C10.1 loudspeaker system shall be comprised of a UL 94V-0 fire rated ABS baffle/bezel assembly, zinc plated steel rear enclosure, powder coated grille with safety tether, transformer with 8 ohm bypass and 10-inch polypropylene low frequency transducer. The loudspeaker shall meet the following criteria: power rating shall be 100 watts of EIA RS-426A continuous pink noise (6 dB crest factor). Frequency response, 45 Hz to 180 Hz. Pressure sensitivity, 94 dB SPL at 1 meter (3.3 feet) on axis with one watt of pink noise (ref. 20µPa). Minimum impedance, 6.0 ohms. The loudspeaker shall be 320 mm (12.6 in.) in diameter and 303 mm (11.9 in.) deep. Weight shall be 7.0 kg. (15.5 lb). The subwoofer ceiling loudspeaker shall be the Electro-Voice® model EVID C10.1.

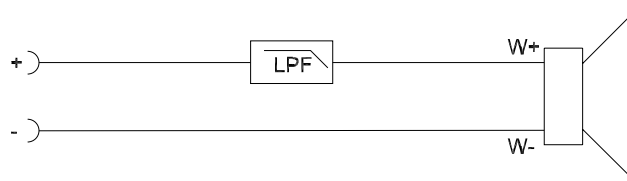
## Dimension Drawings:



## Frequency Response:



## Block Diagram:



## Performance Match:

- CPS-1 Power Amplifier
- CPS-2 Power Amplifier
- CPS-2T Power Amplifier
- MA-1206 Mixer Amplifier
- MA-1212 Mixer Amplifier

## EVID C10.1 Part Number

- 301263-000



12000 Portland Avenue South, Burnsville, MN 55337  
Phone: 952/884-4051, Fax: 952/884-0043

[www.electrovoice.com](http://www.electrovoice.com)

© Telex Communications, Inc. 8/2002

Part Number 38110-128 Rev B

U.S.A. and Canada only. For customer orders, contact Customer Service at:

800/392-3497 Fax: 800/955-6831

Europe, Africa, and Middle East only. For customer orders, contact Customer Service at:

+ 49 9421-706 0 Fax: + 49 9421-706 265

Other International locations. For customer orders, contact Customer Service at:

+ 1 952 884-4051 Fax: + 1 952 887-9212

For warranty repair or service information, contact the Service Repair department at:

800/685-2606

For technical assistance, contact Technical Support at: 866/78AUDIO

Specifications subject to change without notice.